

**Temperature Gauges / Gas Actuated Thermometers / Gas Actuated Thermometers / Ø 100 mm.**
**CONSTRUCTIVE PROPERTIES**

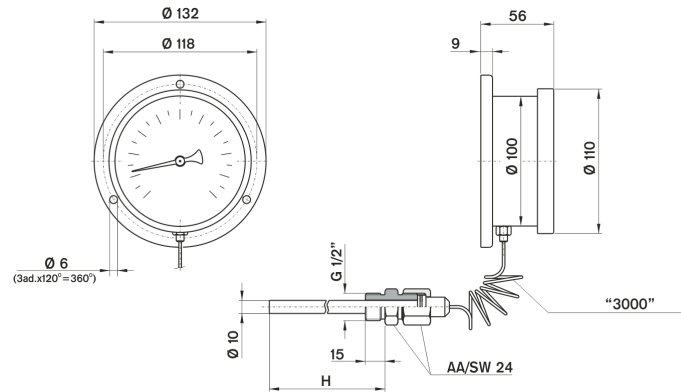
	STANDARD	OPTIONAL
Mounting Type	Bottom Connection	Back Connection
Scale Range (T)	-40/+40°C   -40/+60°C   0/+120°C   0/+160°C       0/+300°C   0/+350°C	0/+400°C   0/+500°C   0/+600°C
Case	Stainless Steel AISI-304	Stainless Steel AISI-316L
Bezel	Stainless Steel AISI-304	Stainless Steel AISI-316L
Window	Glass	Safety Glass
Connection	G 1/2" B	1/2" NPT
Dial	Aluminum	-
Pointer	Aluminum	Adjustable Aluminum
Filling Liquid	-	Silicon Oil ( $\leq +300^{\circ}\text{C}$ )
Capillary Tube	Stainless Steel AISI-316L	-
Capillary Tube Length (T)	3m   5m	10m
Temperature Element	Gas Actuated	-
Thermowell	Stainless Steel AISI-316	-
Immersion Length	200mm	250mm   300mm   400mm   500mm
Bulb Ø	8mm	10mm

**USAGE PROPERTIES**

Ambient Temperature	- 40...+ 60°C	-
Accuracy Class	CL 2.0	CL 1.0
Protection Rate	IP 51	IP 65
Optimum Operating Range	Between 0,0 x PN and 1,0 x PN	
Storage Temperature	-40 ... +70 °C	-
Conformity	EN 13190	ATEX 94/9/EC

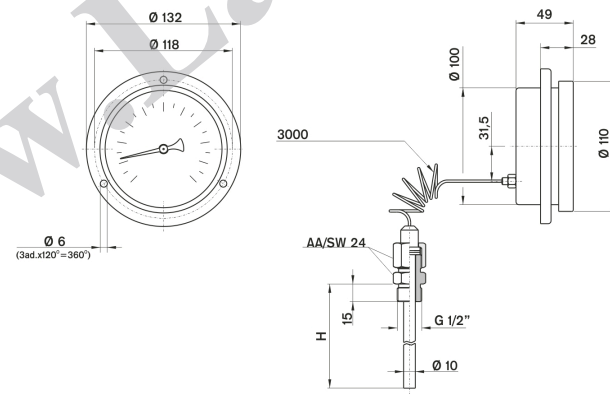

**TG100DL5.**

Temperature Gauges / Gas Actuated Thermometers / Gas Actuated Thermometers / Ø 100 mm.



Model No: TG100DL5

Bottom Connection with Back Flange



Model No: TG100DL9

Back Connection with Front Flange